

# ADA HEADZ

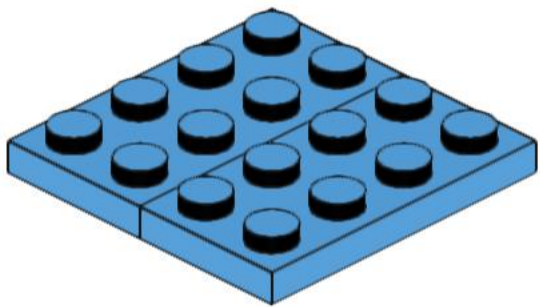
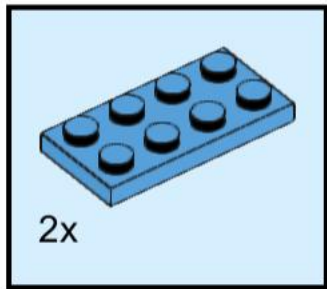


[adaheadz.io/manuals](https://adaheadz.io/manuals)

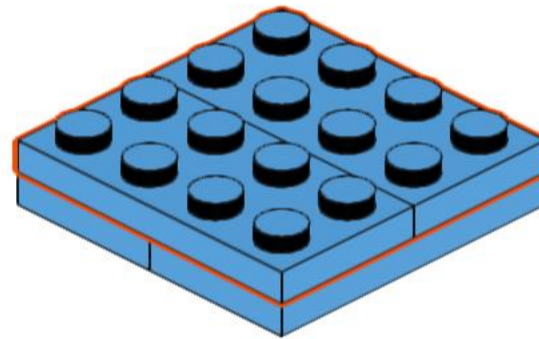
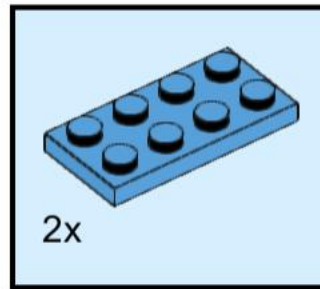
# DAEDALUS



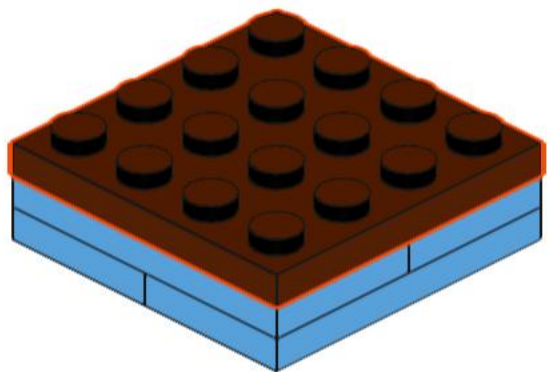
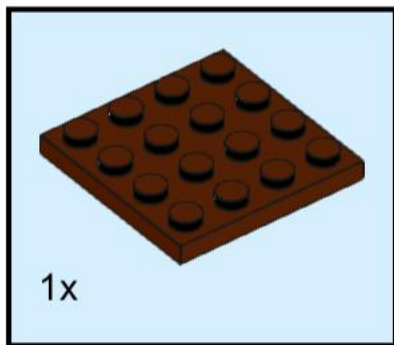
1



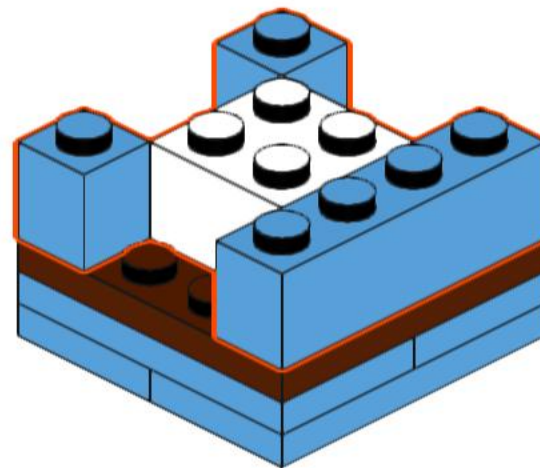
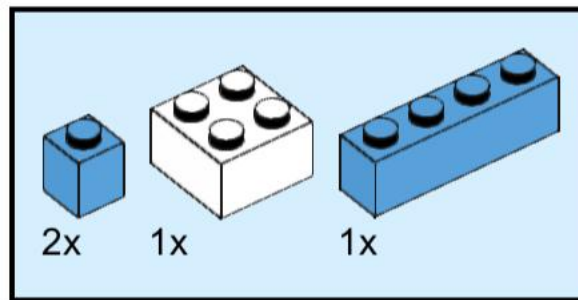
2



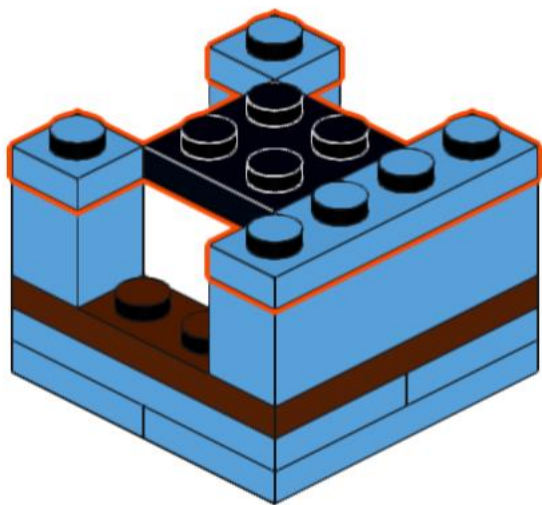
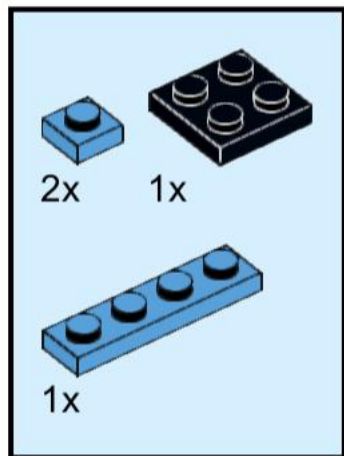
3



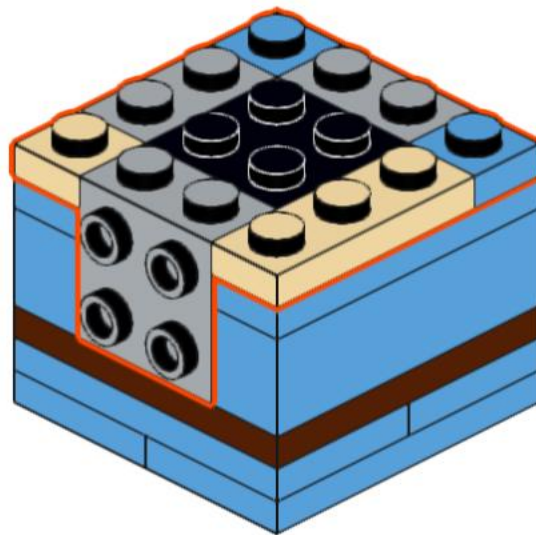
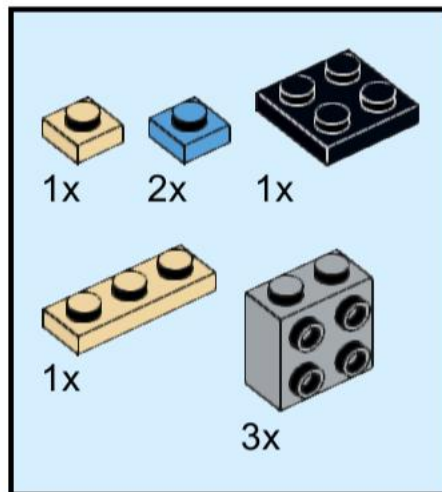
4



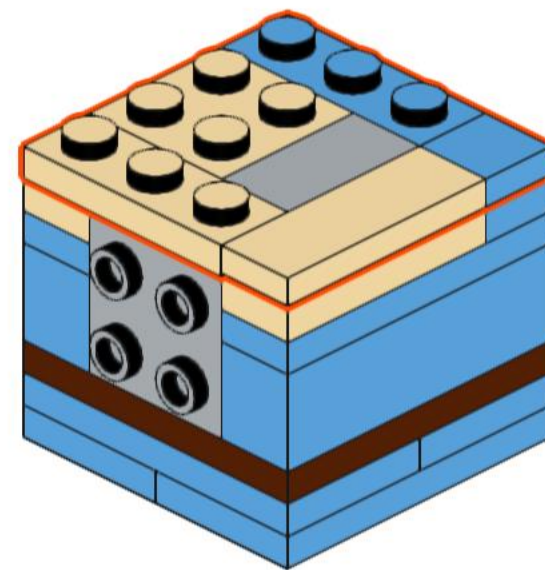
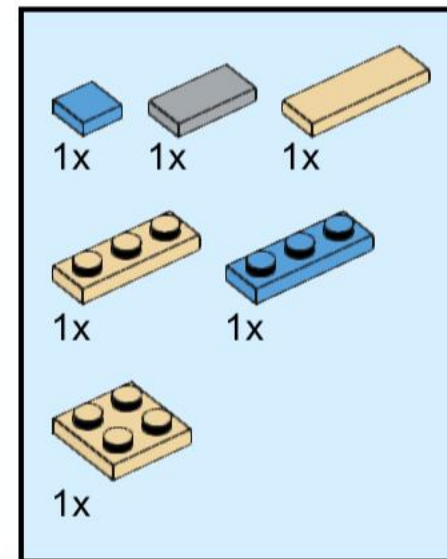
# 5



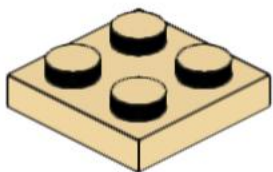
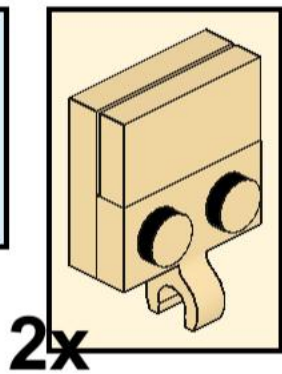
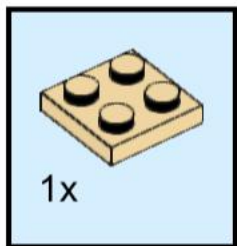
# 6



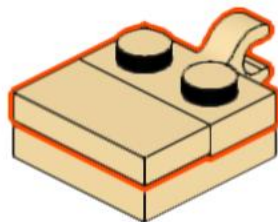
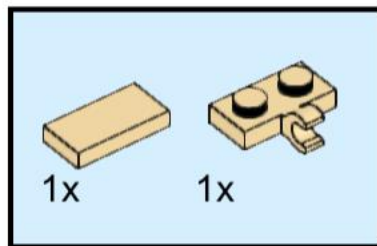
# 7



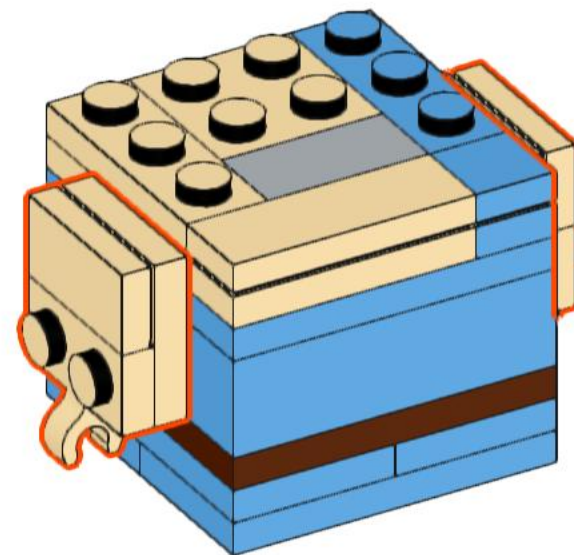
8



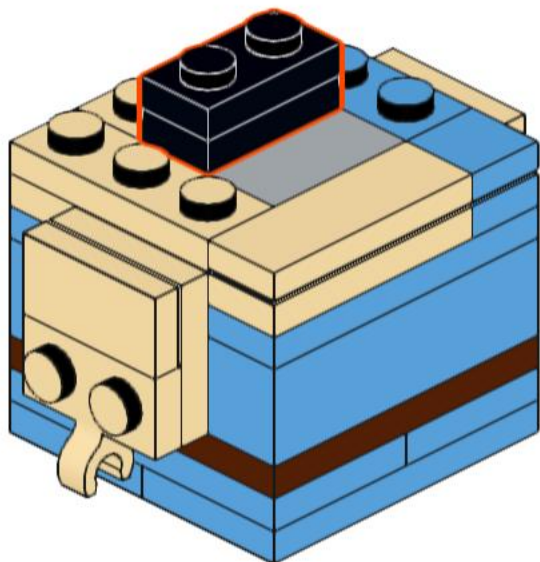
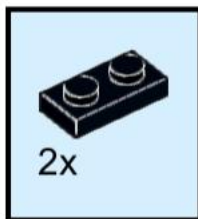
9



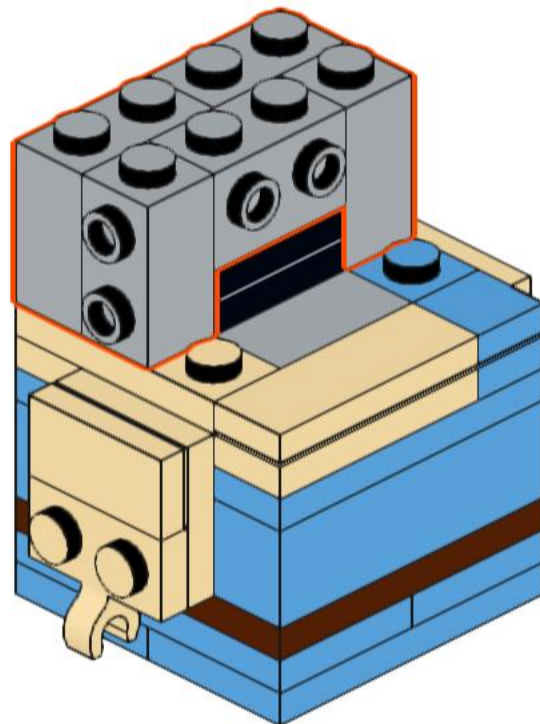
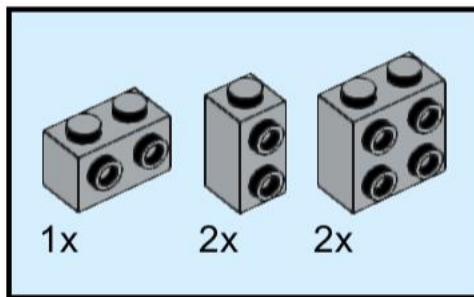
10



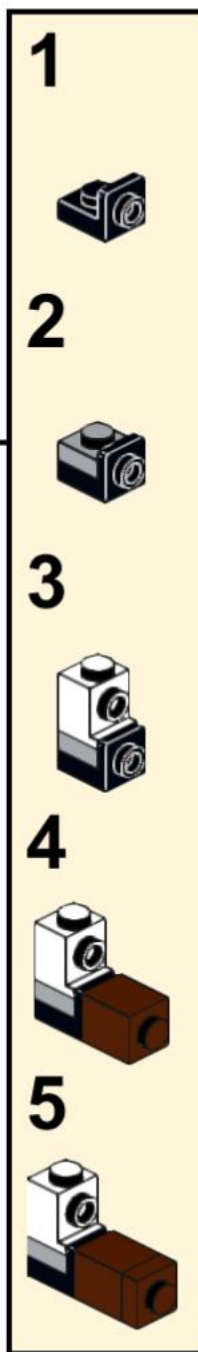
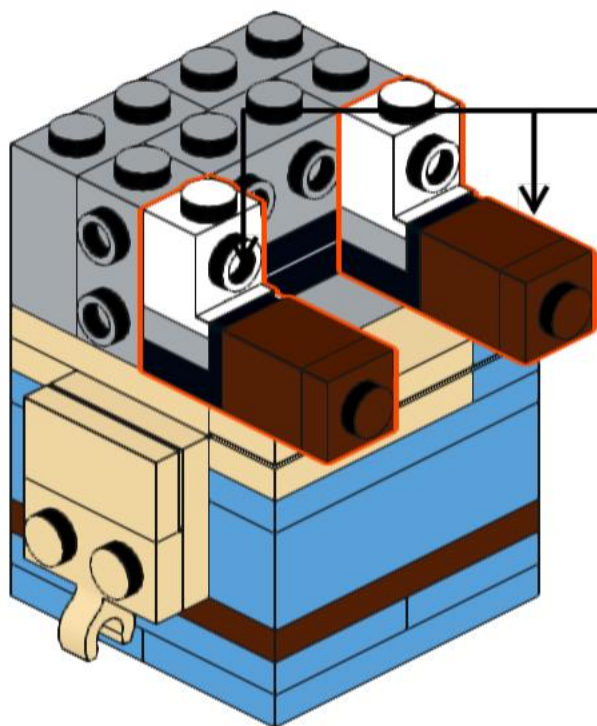
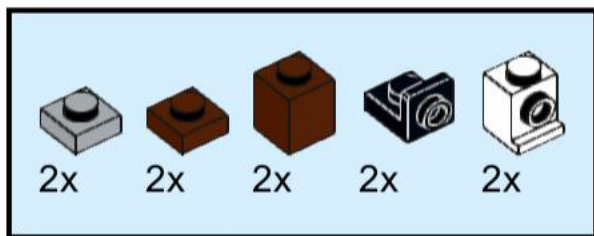
# 11



# 12



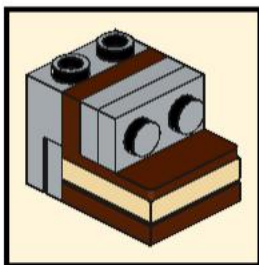
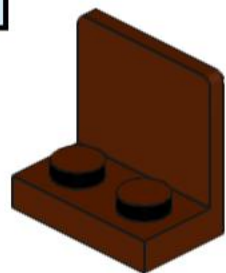
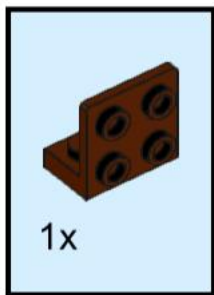
# 13



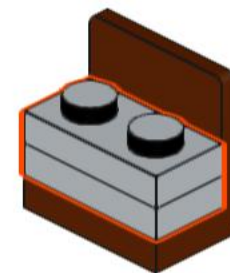
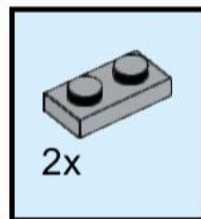
2x



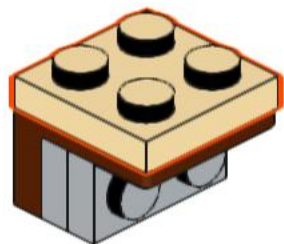
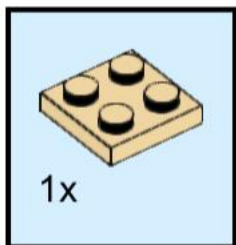
# 14



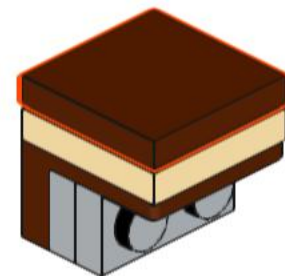
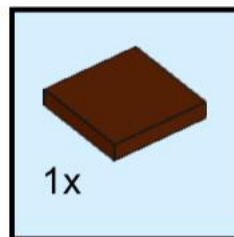
# 15



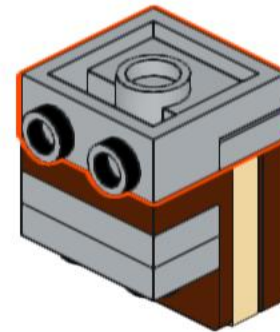
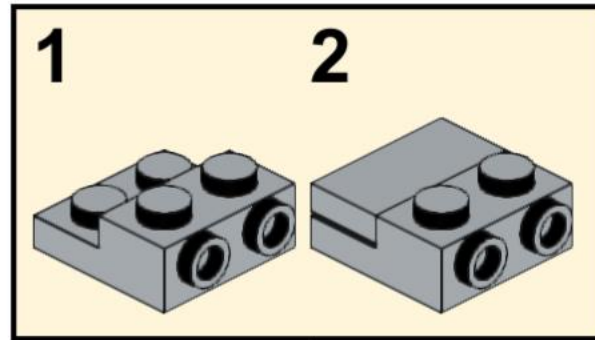
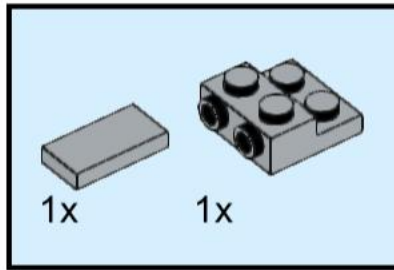
# 16



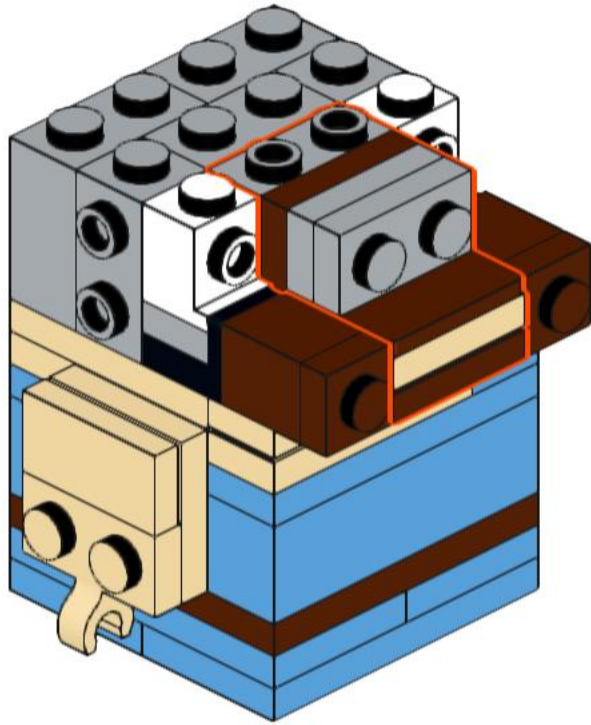
# 17



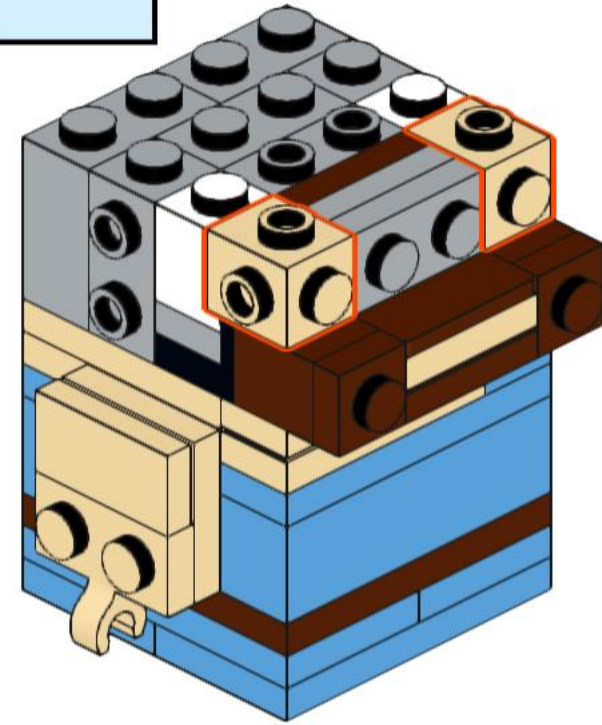
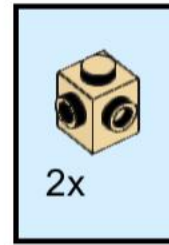
# 18



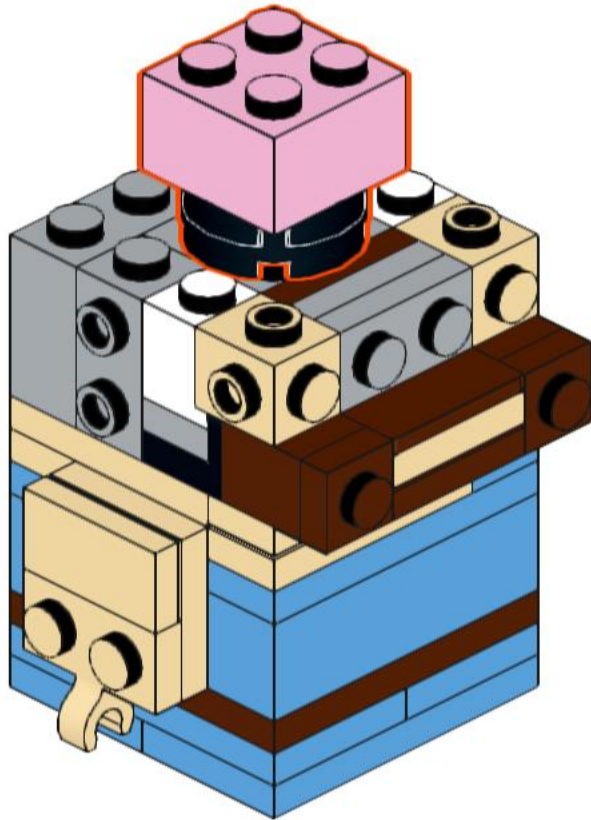
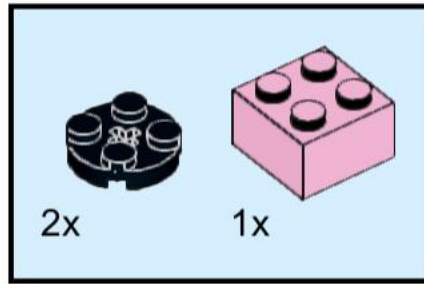
# 19



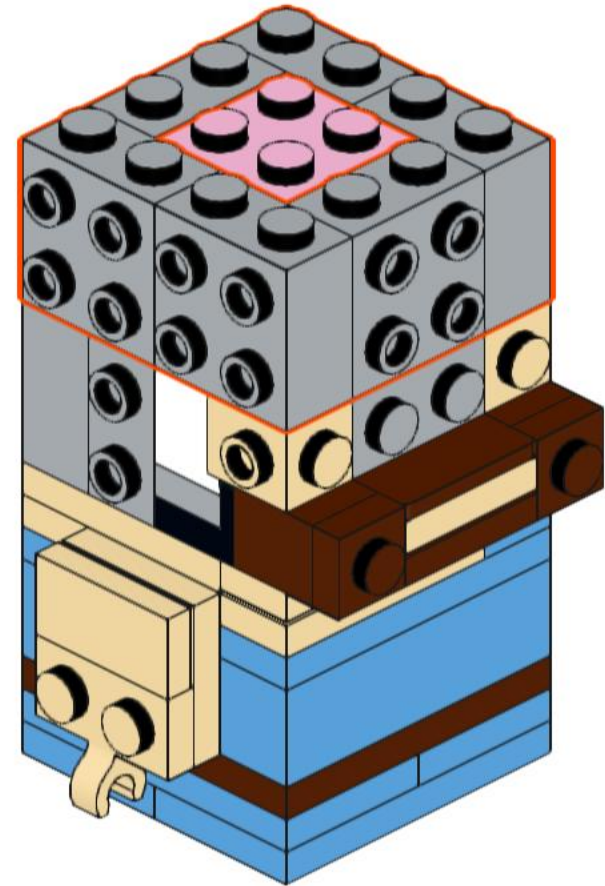
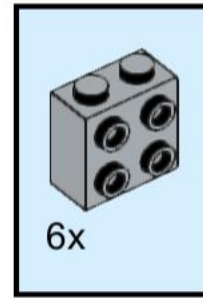
# 20



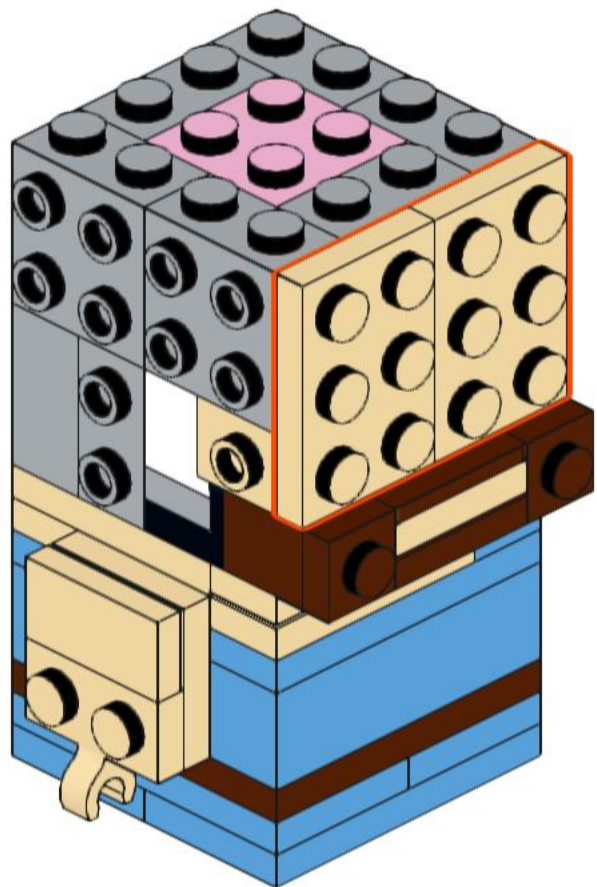
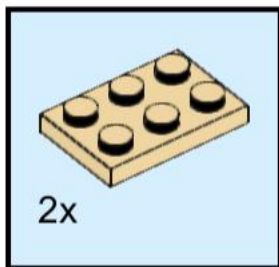
# 21



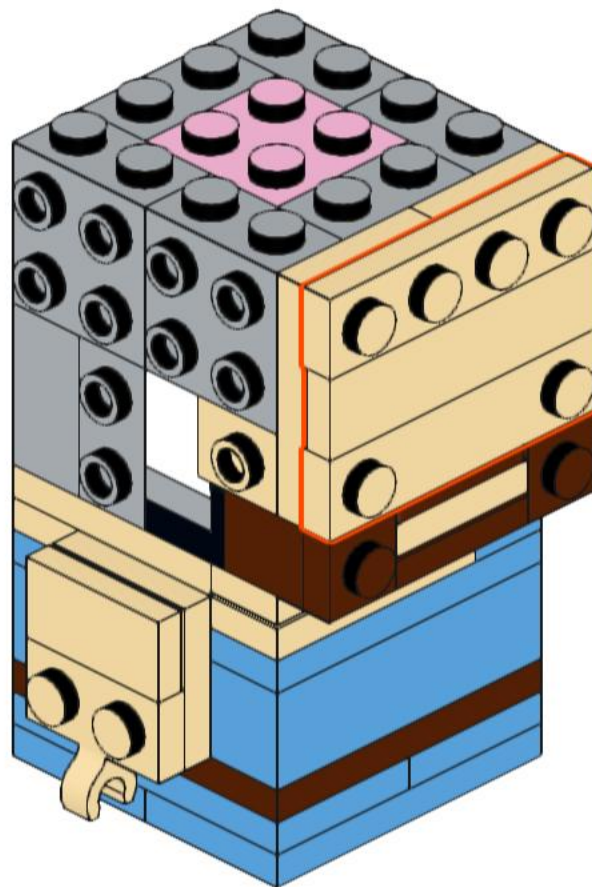
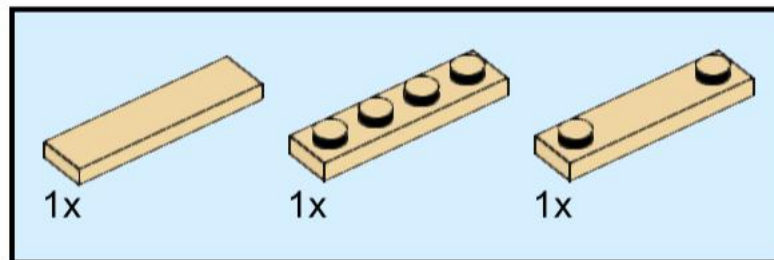
# 22



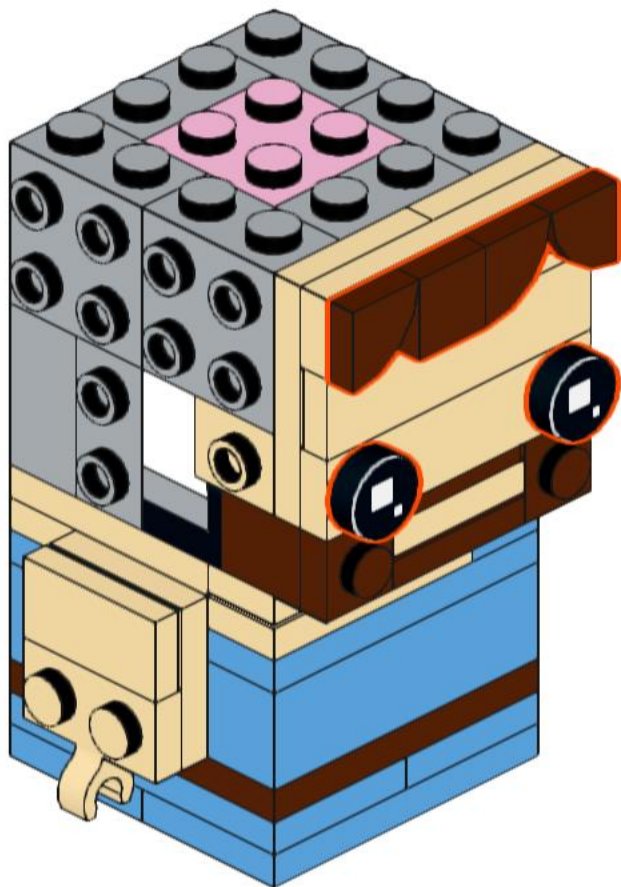
# 23



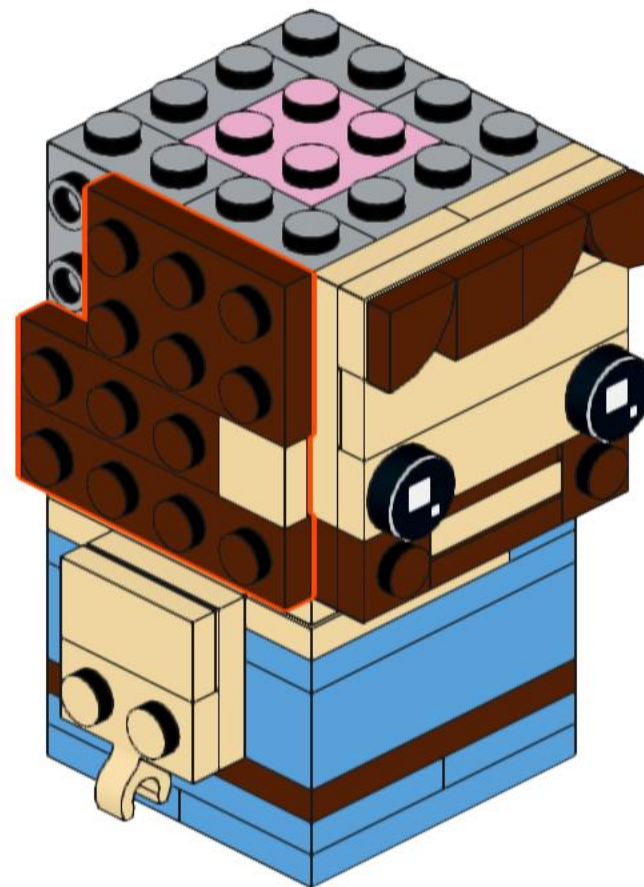
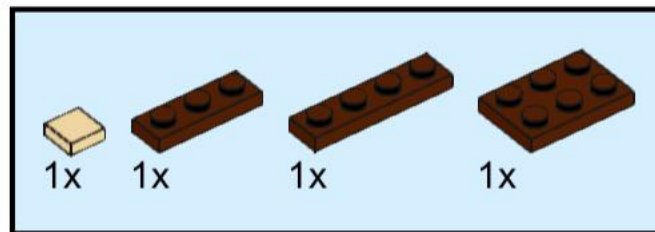
# 24



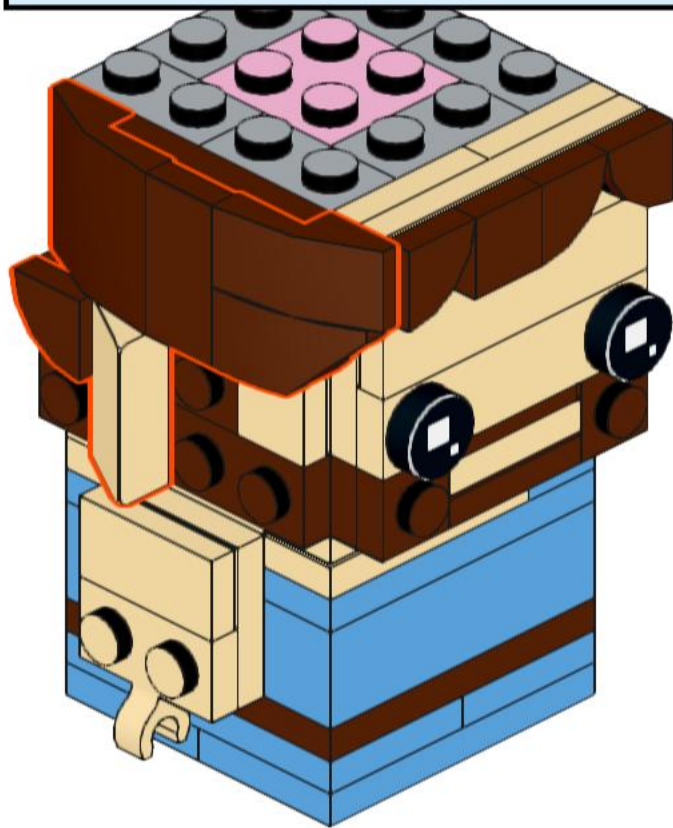
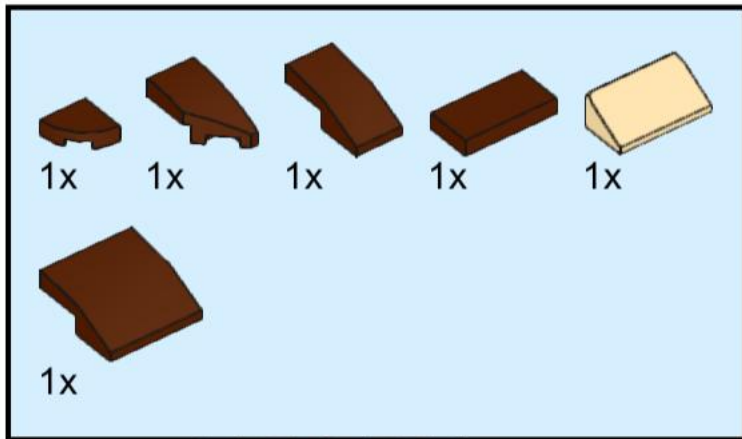
# 25



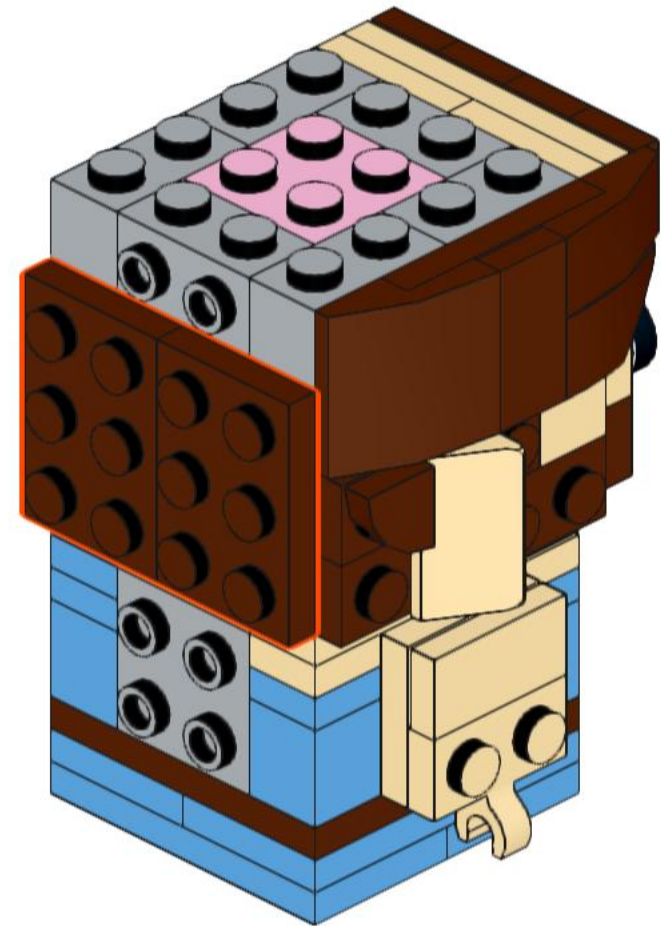
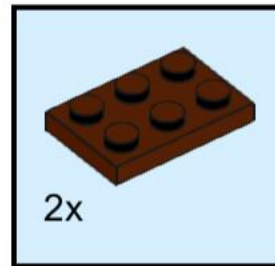
# 26



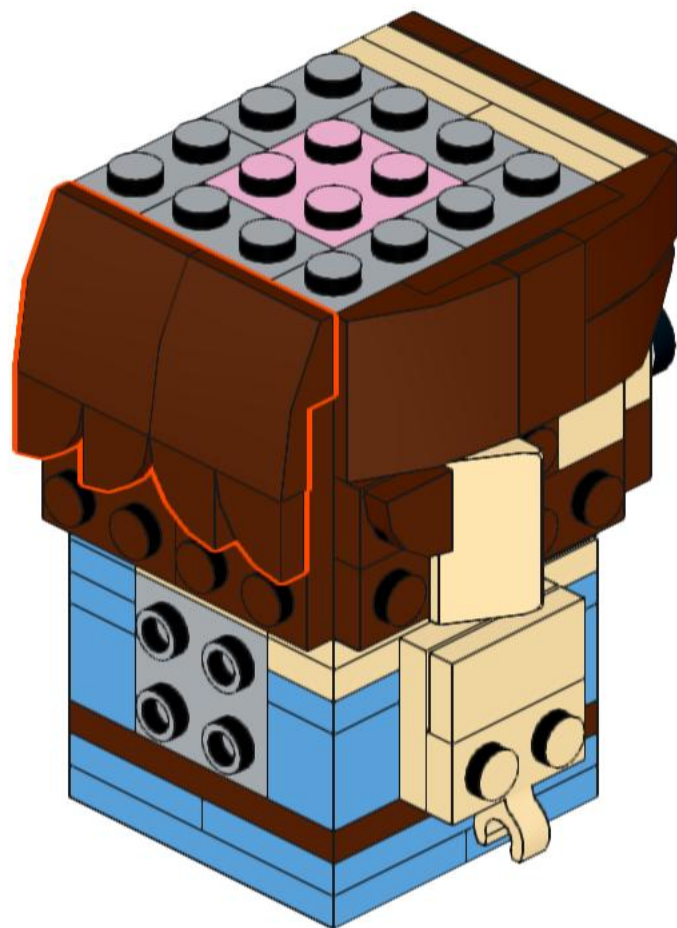
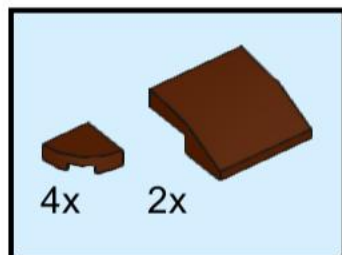
# 27



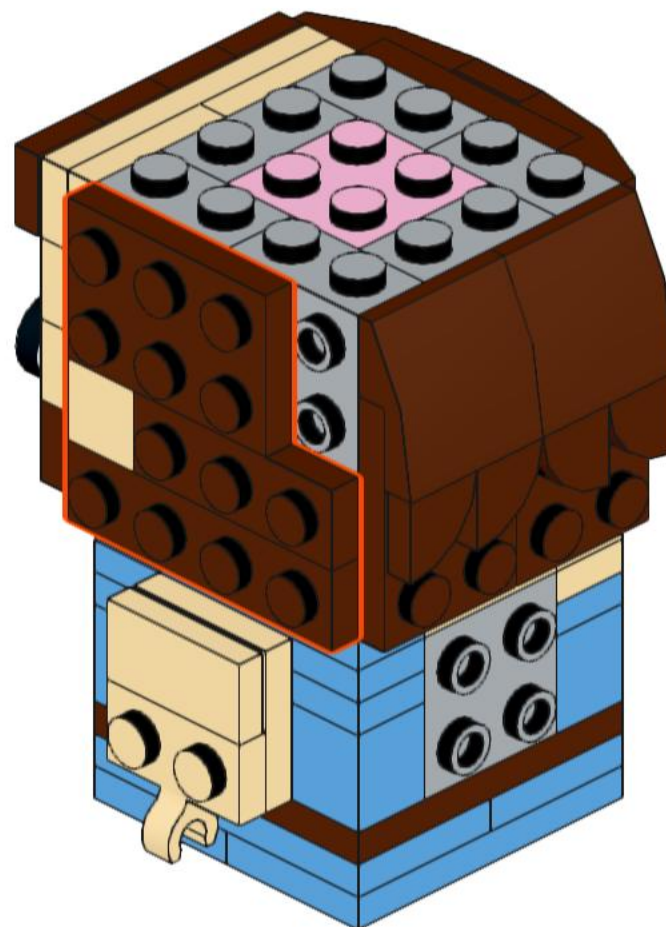
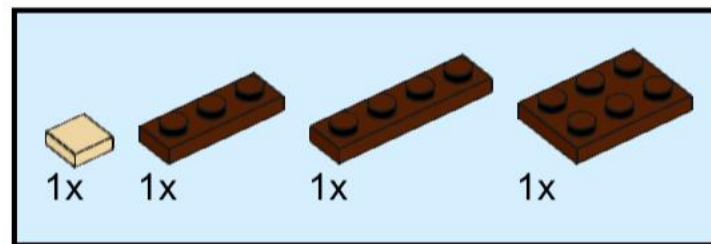
# 28



# 29

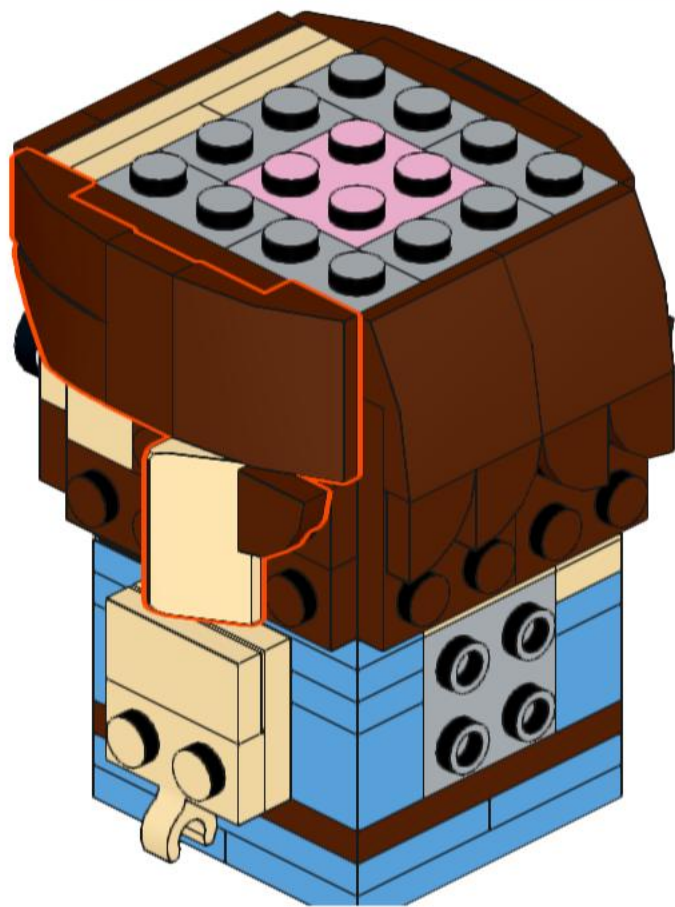
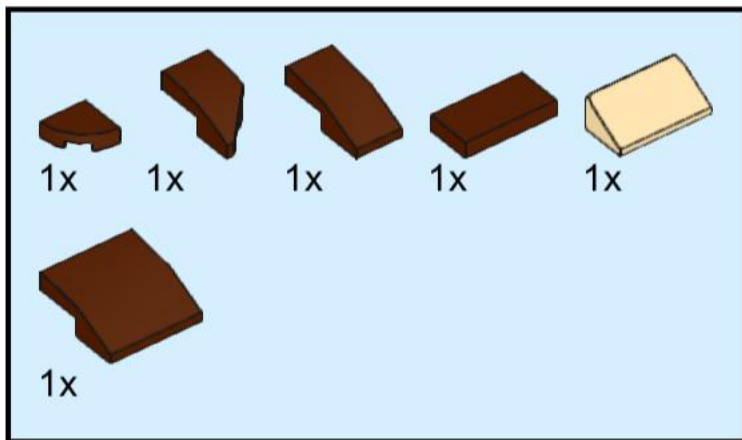


# 30

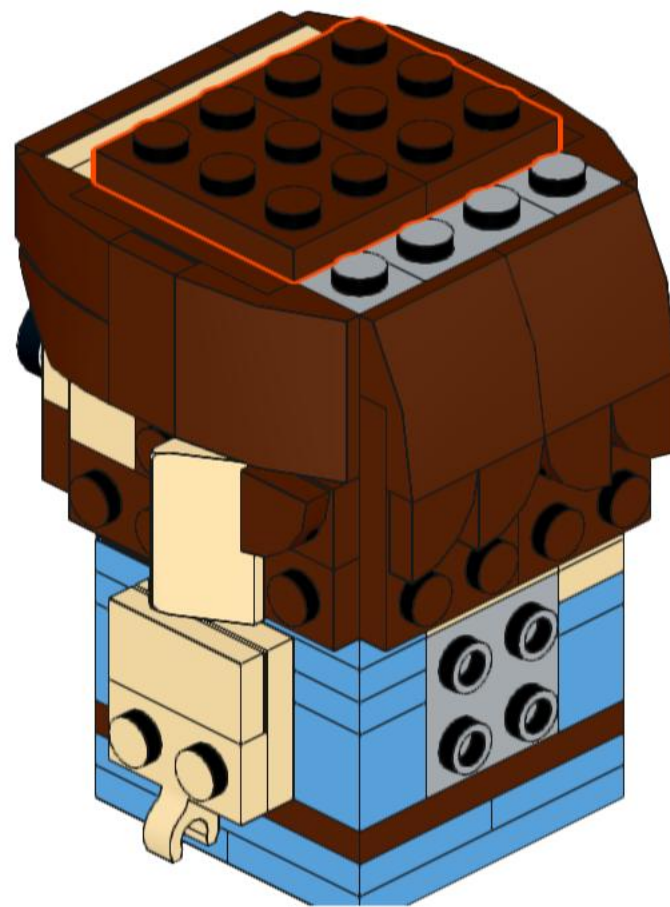
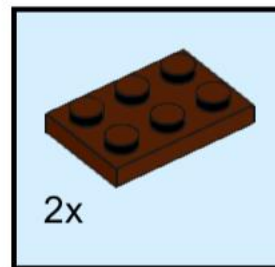




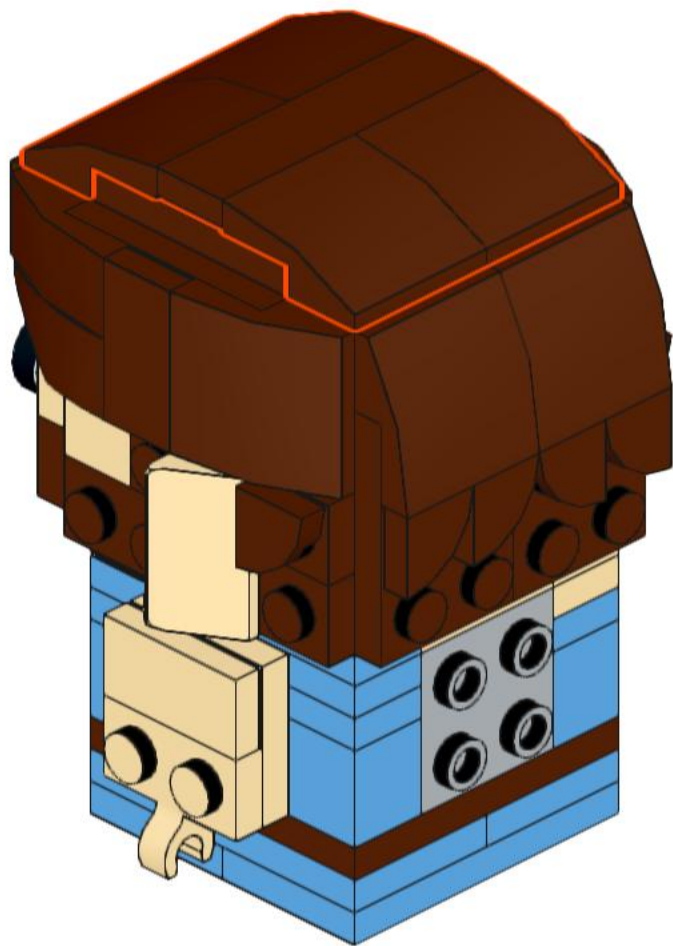
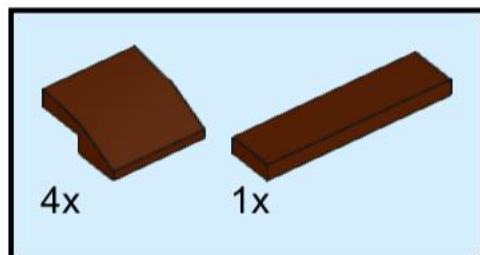
# 31



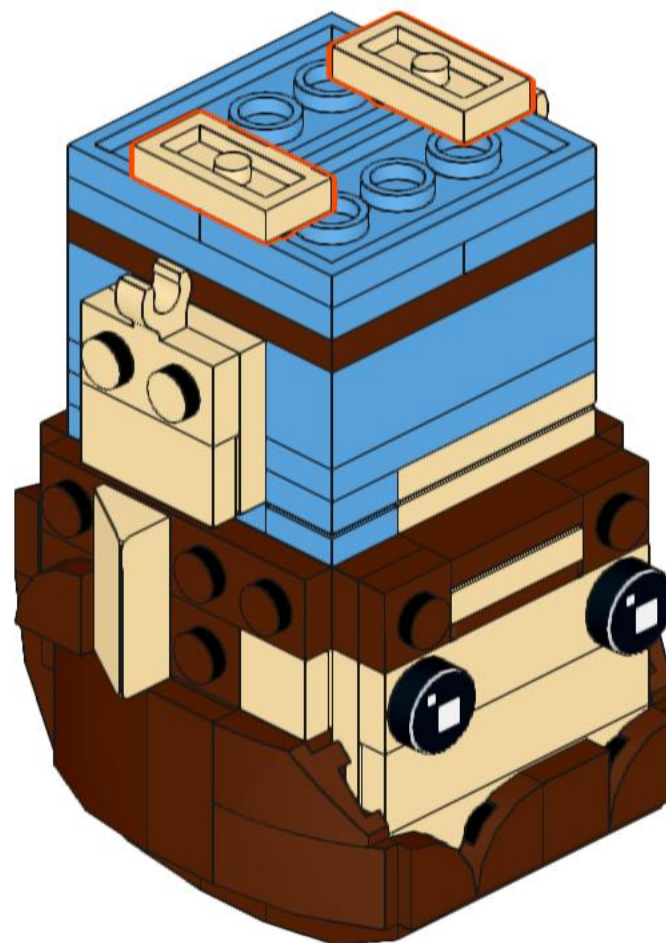
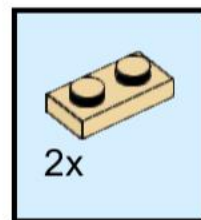
# 32



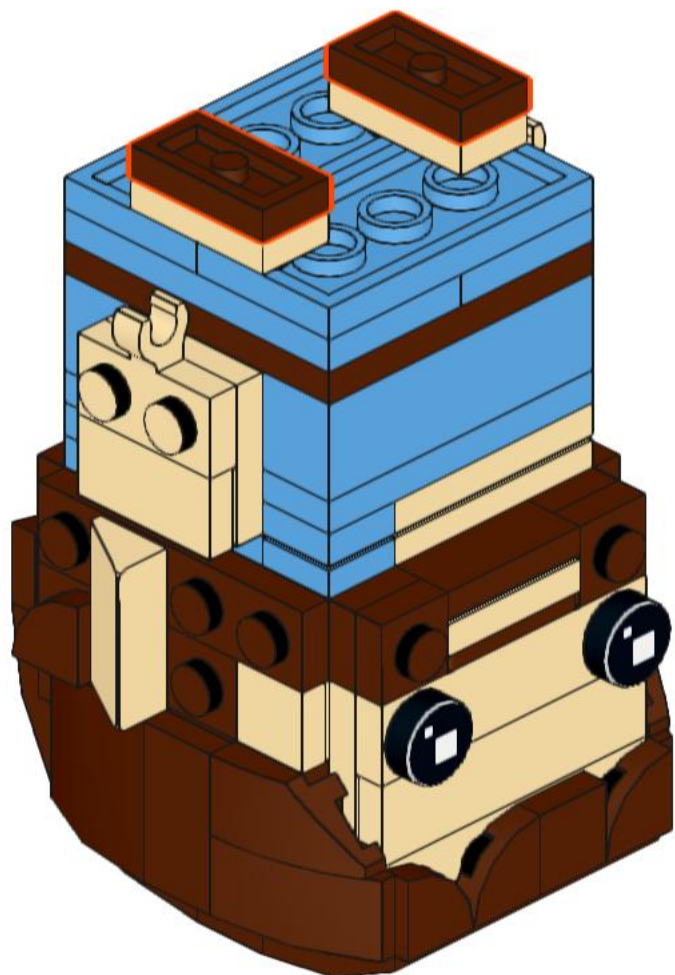
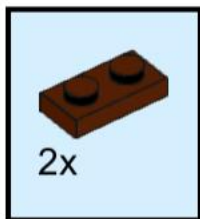
# 33



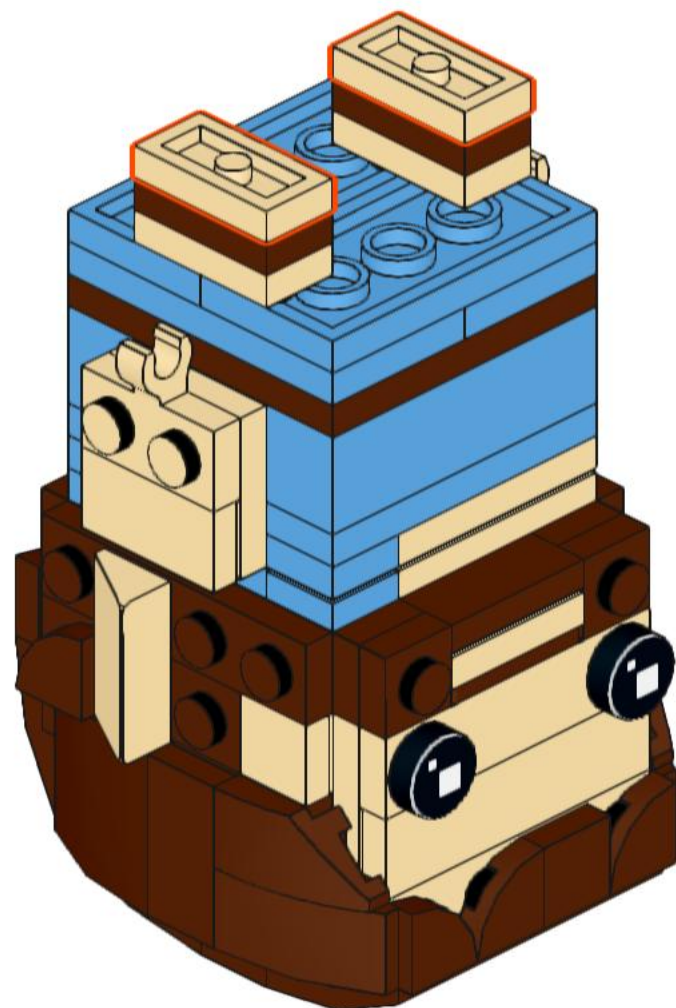
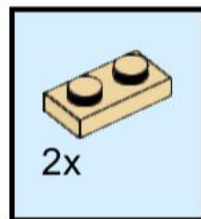
# 34



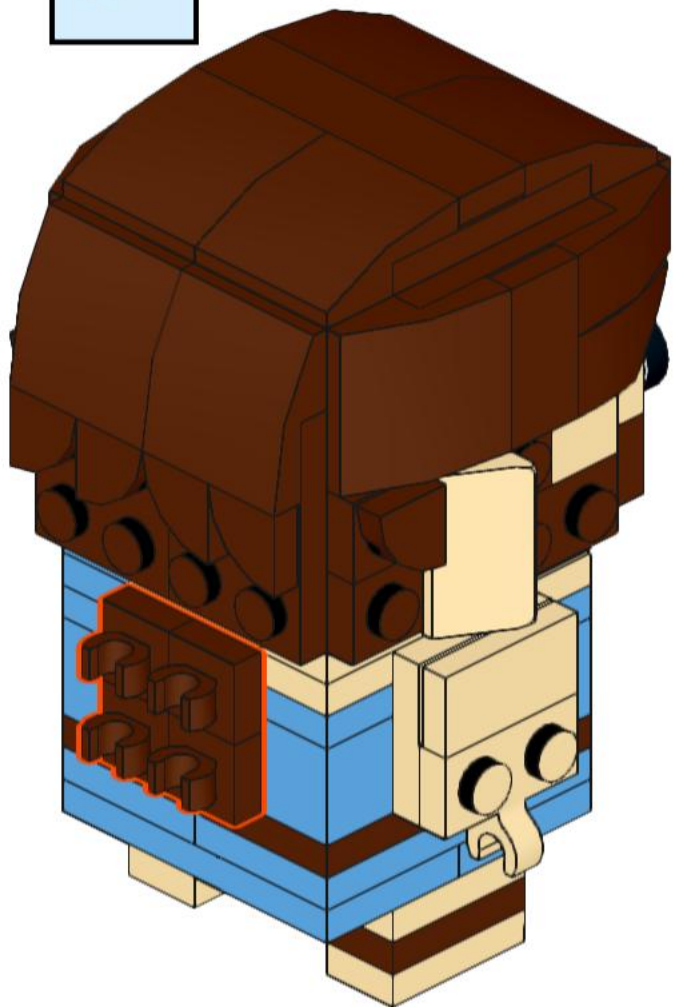
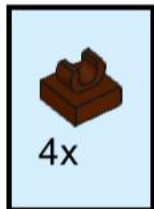
# 35



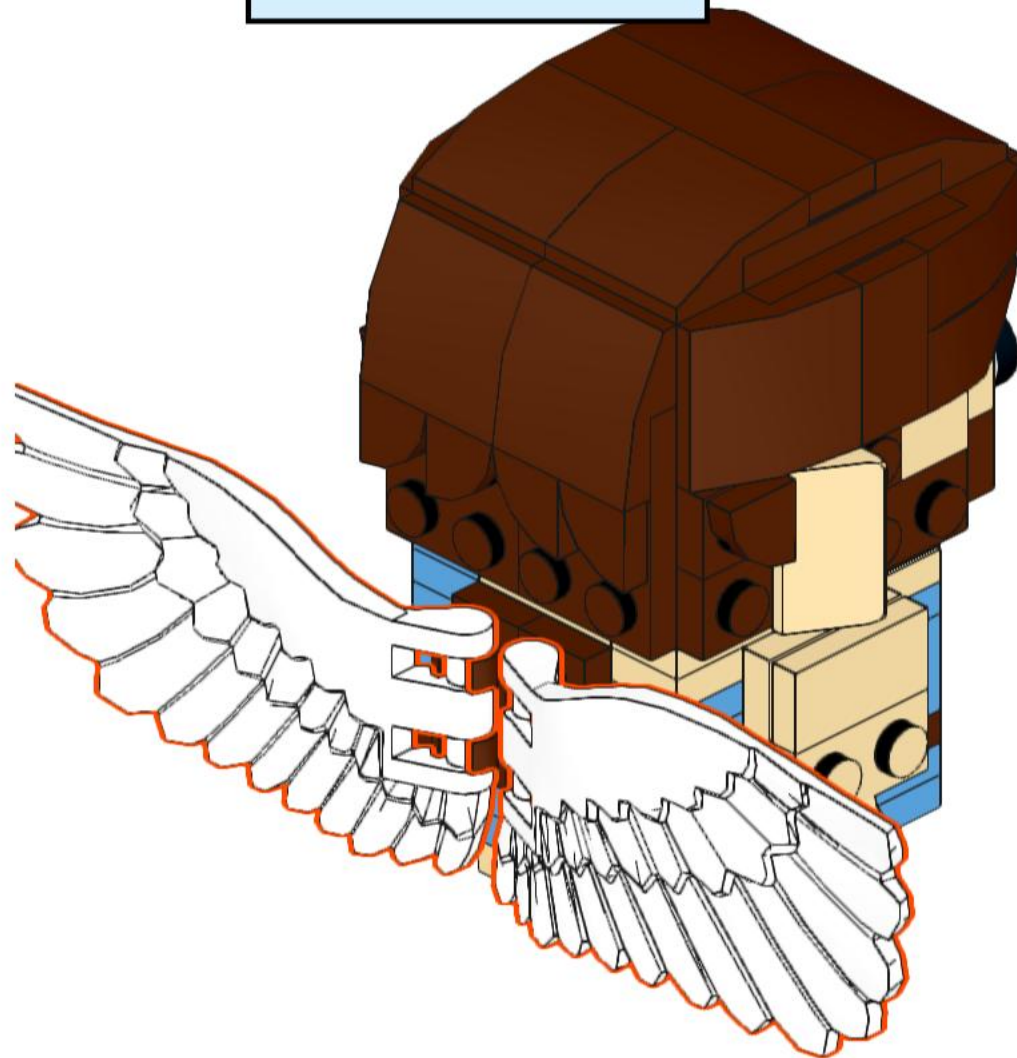
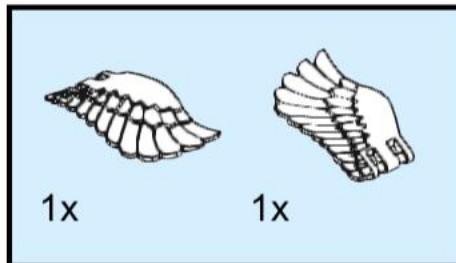
# 36



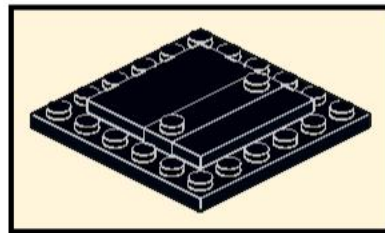
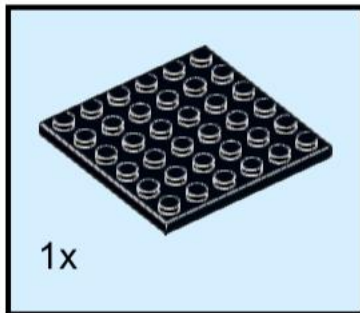
# 37



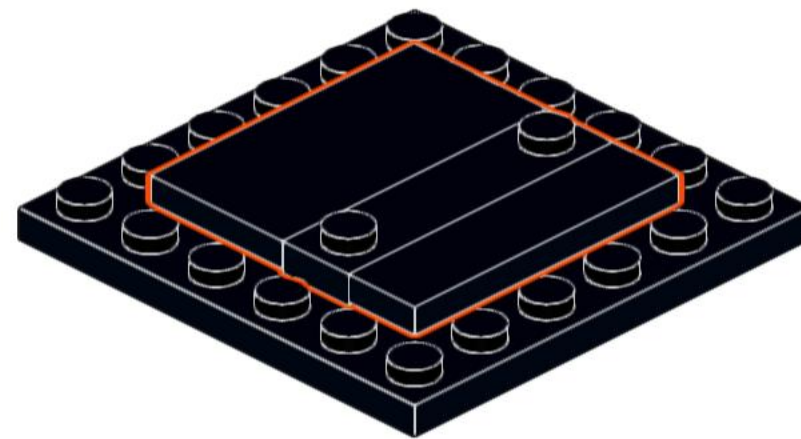
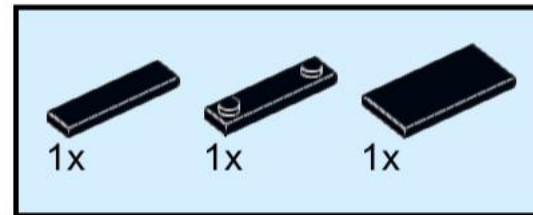
# 38



# 39



# 40



41

